

Electric Series Scissor Lifts

0408SE/ME(1530SE/1532ME)

0608SE/ME(1930SE/1932ME)

Compliance with ISO/CE/ANSI/CSA/AS/CU-TR/KCS standards

Product Highlights

Efficient and environmentally friendly

- Higher work efficiency
- Environmental protection, zero emissions

Reduced maintenance costs

- Rapid, convenient transportation with two-way forklift slot
- Lower cost of ownership with highly versatile parts

More reliable performance

- Bumper rail protection

Standard features		
■ Maintenance-free battery	■ Automatic braking system	■ Drive at full height
■ Proportional control	■ Emergency lowering system	■ Forklift pocket and lifting eyes
■ Bumper rail	■ Emergency stop at both platform and ground controls	■ Electrophoresic paint technology
■ 4x2 drive	■ Fault diagnosis system	■ Foldable guardrail
■ Non-marking tyres	■ Tilt protection	■ Overload sensing system
■ Integrated hand shield	■ Automatic pothole guard	
Optional features		
■ Overhead anti-collision device	■ Headlight	■ RCBO
■ AC power to platform		

SINOBOOM

Sinoboom Intelligent Equipment Co Ltd

📍 No.128 East Jinzhou Av., Ningxiang Hi-Tech Industry Park,
Changsha, Hunan, China, 410600

🌐 www.sinoboom.com

✉ sales@sinoboom.com

rentit

Vermietung und Verkauf ■ Arbeitsbühnen
Stapler ■ Rollgerüste ■ Motorhängegerüste

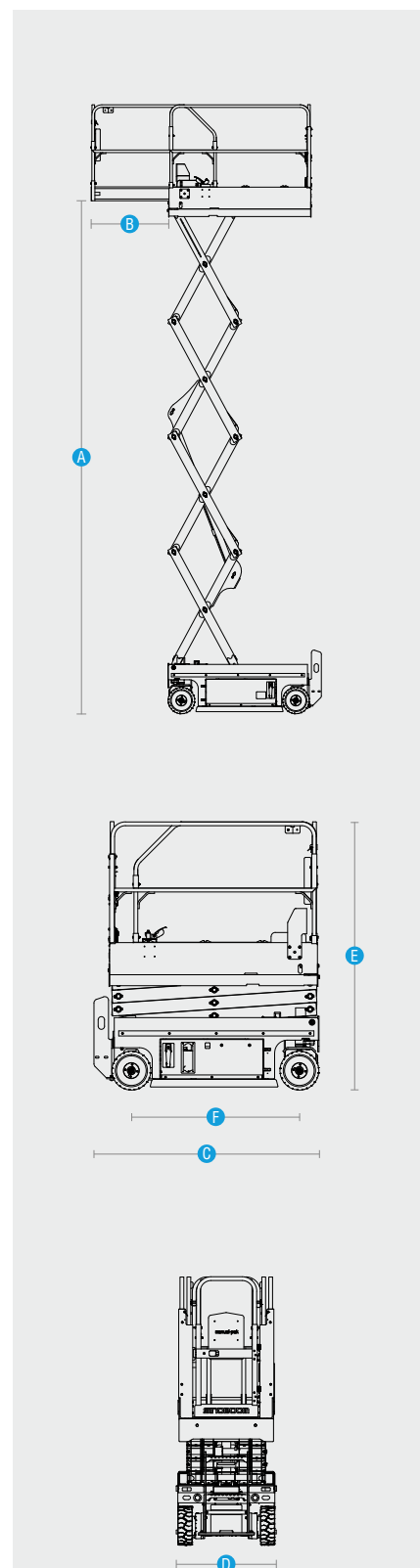
Electric Series Scissor Lifts

0408SE/ME(1530SE/1532ME) 0608SE/ME(1930SE/1932ME)

Compliance with ISO/CE/ANSI/CSA/AS/CU-TR/KCS standards

SINOBOOM

Model		0408SE/ME (1530SE/1532ME)		0608SE/ ME (1930SE/1932ME)	
Dimensions		Metric	US	Metric	US
Max Working Height		6.6m	21'8"	7.8m	25'7"
A	Max Platform Height	4.6m	15'1"	5.8m	19'
B	Max Horizontal Extension	0.9m	3'	0.9m	3'
C	Length-Stowed	1.8m	5'11"	1.8m	5'11"
D	Width-Stowed	0.79m/0.81m	2'7"/2'8"	0.79m/0.81m	2'7"/2'8"
Height- Stowed	Rail Folded	1.87m	6'2"	1.88m	6'2"
	E Rail Unfolded	2.12m	6'11.5"	2.14m	7'
F	Wheelbase	1.334m	4'4"	1.334m	4'4"
Ground Clearance (Pothole Guard Stowed)		75mm	3"	75mm	3"
Ground Clearance (Pothole Guard Deployed)		24mm	0.95"	24mm	0.95"
Platform Dimensions(L×W×H)		1.64m×0.76m×1.1m (5'5"×2'6"×3'7")		1.64m×0.76m×1.1m (5'5"×2'6"×3'7")	
Performance					
Platform Allowable Occupants (Indoor/Outdoor)		0408SE(1530SE): 2 persons/- 0408ME(1532ME): 2 persons/1 person		0608SE(1930SE): 2 persons/- 0608ME(1932ME): 2 persons/1 person	
Platform Capacity		280kg	617lbs	230kg	507lbs
Drive Speed-Stowed		4km/h	2.5mph	4km/h	2.5mph
Drive Speed-Raised		0.8km/h	0.5mph	0.8km/h	0.5mph
Elevation Time(Unloaded)		15s~20s		15s~20s	
Descent Time(Unloaded)		28s~33s		25s~30s	
Gradeability		25%		25%	
Turning Radius(Inside/Outside)		0/1.49m	0/4'11"	0/1.49m	0/4'11"
Tilt Rating (Front to Back/Side to Side)		3°/1.5°		3°/1.5°	
Tyres-solid		323×100mm	12.7×4"	323×100mm	12.7×4"
Power					
Batteries		6V×4/225Ah		6V×4/225Ah	
Power Source		24V DC		24V DC	
Drive Mode		Motor, front-wheel		Motor, front-wheel	
Charger Input		100~240V AC		100~240V AC	
Charger Output		30A		30A	
Hydraulic System Capacity		7L	1.5gal	7L	1.5gal
Weight					
Weight		1,375kg	3,032lbs	1,575kg	3,473lbs
		0408SE(1530SE) for indoor only		0608SE(1930SE) for indoor only	
Standards Compliance		ISO/CE/ANSI/CSA/AS/CU-TR/KCS			



rentit

Vermietung und Verkauf ■ Arbeitsbühnen
Stapler ■ Rollgerüste ■ Motorhängegerüste